




NIPPON HAKUYOHIN KENTEI KYOKAI
(The Ship Equipment Inspection Society of Japan)

CERTIFICATE OF RECEPTACLE
FOR DANGEROUS GOODS

Certificate No. 23OS-t-6990

Kind and Type	Packaging of Small size Steel Jerricans (non-removable head) KP1L
Name or Title and Address of Applicant	Fujii Yohki Industries Co., Ltd. 6-19, Higashi-nakahama, 8-chome, Johtoh-ku, Osaka, Japan
Name or Title of Manufacturer	Fujii Yohki Industries Co., Ltd. Nara Factory
Manufacturer's Serial Number
Remarks	<p>Marking:  3A1/Y 1.6/100/YR J/HK/FYN</p> <p>YR means the last two digits of the year during which the packaging was manufactured is to be marked on the packagings. Quantity of this lot : 50000 pieces</p> <p>Manufacture Duration of Packagings : Until 11 May 2024</p>

This is to certify that the receptacle identified above has been inspected as shown on the attached paper and that this receptacle conforms to the requirements of Part 4 and Part 6 of IMDG Code.
This certificate is issued in accordance with the provision of Article 113, Paragraph 3 of the Regulations for the Carriage and Stowage of Dangerous Goods by Ships (Ministry of Transport Ordinance No.30 of 1957) as amended.

Date 27 November 2023


Surveyor IDE Atsushi
NIPPON HAKUYOHIN KENTEI KYOKAI

Note NIPPON HAKUYOHIN KENTEI KYOKAI is a designated National Competent Authority which is listed in the list of paragraph 7.9.3 of IMDG Code.



TEST REPORT OF PACKAGING

Test Report No. 23OS-t-6990

Date of Report 27 November 2023

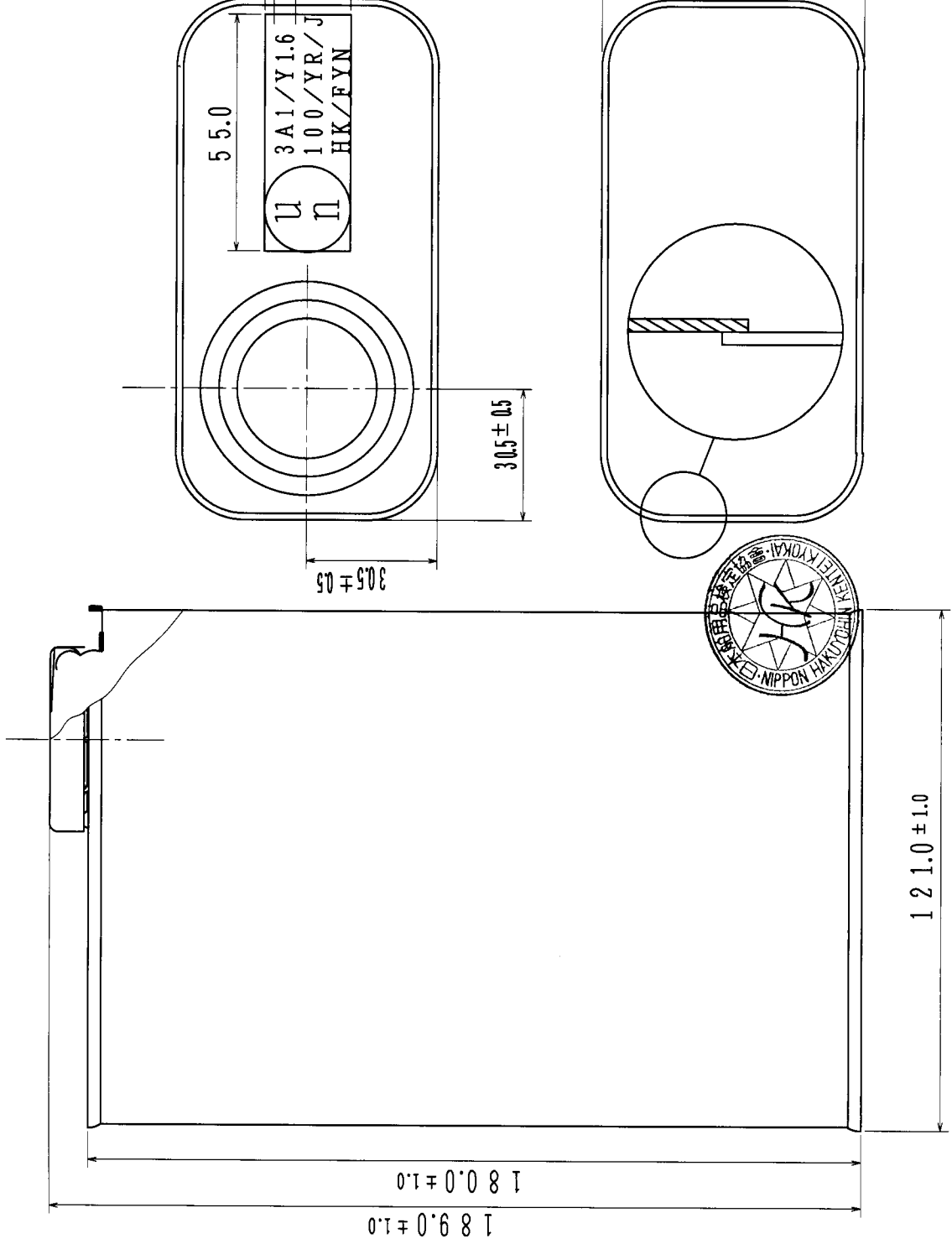
1. Kind of Packaging : Steel Jerricans (non-removable head)
2. Type of Packaging : KP1L
3. Name and Address of Test Facility : Fujii Yohki Industries Co., Ltd. Nara Factory
1149-8, Kitatawara-cho, ikoma, Nara, Japan
4. Name and Address of Applicant : Fujii Yohki Industries Co., Ltd.
6-19, Higashi-nakahama, 8-chome, Johtoh-ku, Osaka, Japan
5. Date of Test : 21 November 2023
6. Name and Address of Manufacturer : Fujii Yohki Industries Co., Ltd. Nara Factory
1149-8, Kitatawara-cho, ikoma, Nara, Japan
7. Description of the Packaging Design Type : Refer to attached drawings.
8. Maximum Capacity : 1.2 litres
9. Characteristic of Test Contents : Water
10. Test Descriptions and Results :

Test Items	Test Standard		Test Results
General Inspection:			Good
Drop Test:IMDG Code Chapter 6.1.5.3	Drop Height	1.6 m	Pass
Leak Test:IMDG Code Chapter 6.1.5.4	Test Pressure	20 kPa	Pass
Pressure Test:IMDG Code Chapter 6.1.5.5	Test Pressure	100 kPa	Pass
Stacking Test:IMDG Code Chapter 6.1.5.6	Stacking Load	35 kg	Pass


Surveyor IDE Atsushi

NIPPON HAKUYOHIN KENTEI KYOKAI

The packaging prepared as for transport was tested in accordance with the appropriate provisions of the IMDG Code. The use of other packaging methods or components may render it invalid.

型式	KPIL	
寸法 (mm) (±1.0)	61.0×121.0×18.0	
風量重量 (キヤップ付) g	160.0±1.0	
材質	天板	ふりき (JIS G 3303) 板厚 0.28mm
	底板	ふりき (JIS G 3303) 板厚 0.28mm
	周板	ふりき (JIS G 3303) 板厚 0.24mm
天、底蓋 合方法	二重巻締め	
巻締め充填剤メーカー名 及び品名	箱岡パッキンズ (株) S365	
梱装 合方法	箱装	



巻締め部詳細図

品名	KPIL		尺	度
出図	2023.11.22			
	藤井器工業株式会社			図番